

# INSTRUCTION BOOKLET

---

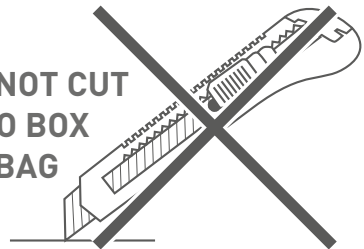
## LIGHTBOX SINGLE SIDED

---

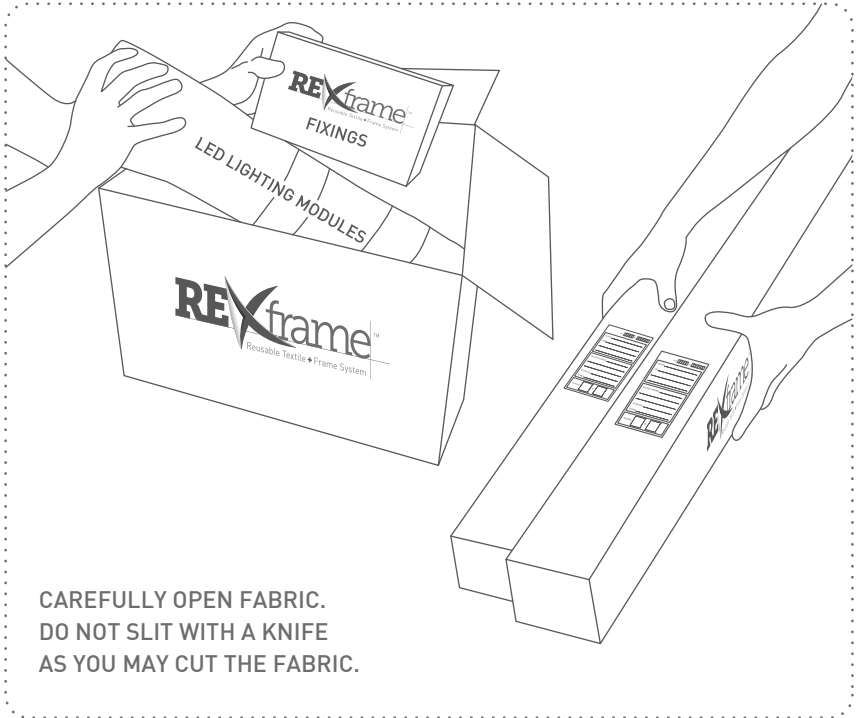
PLEASE READ ALL INSTRUCTIONS  
CAREFULLY BEFORE OPENING BOX



DO NOT CUT  
INTO BOX  
OR BAG

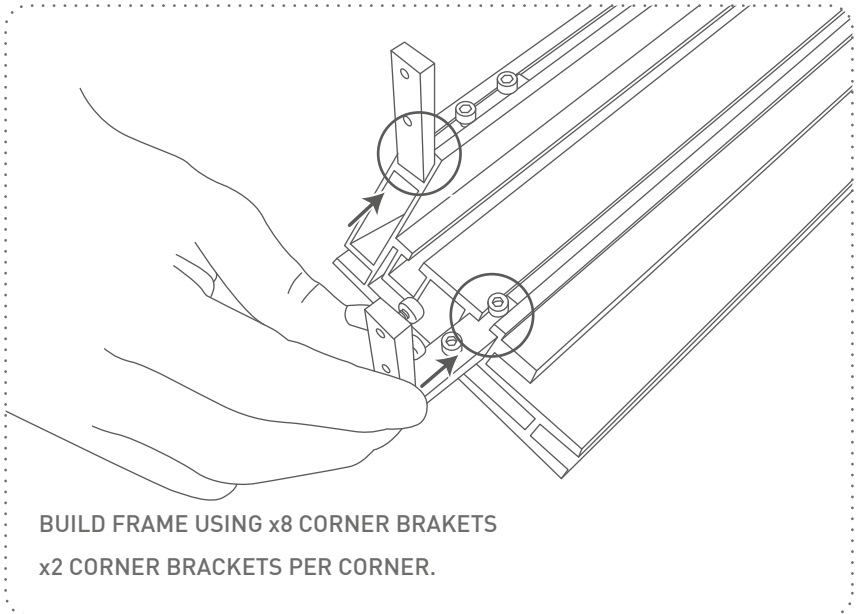


# 1



CAREFULLY OPEN FABRIC.  
DO NOT SLIT WITH A KNIFE  
AS YOU MAY CUT THE FABRIC.

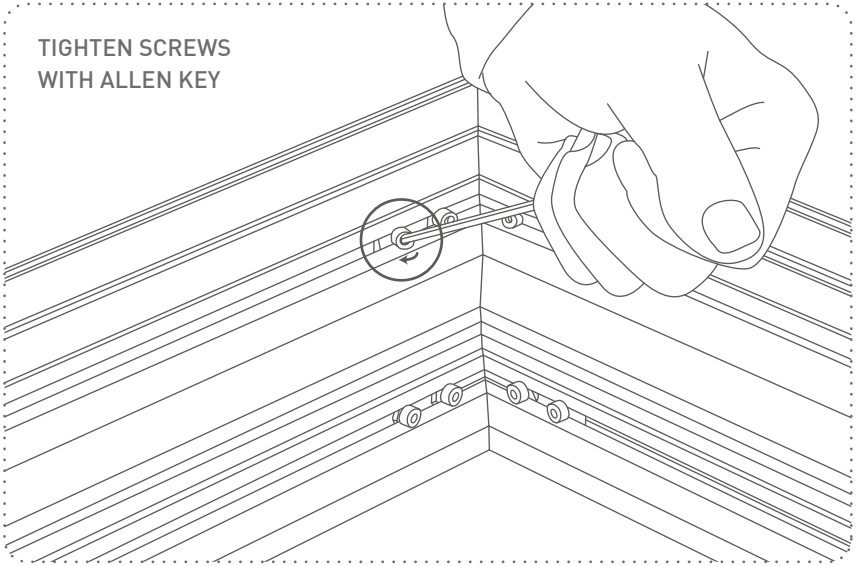
# 2



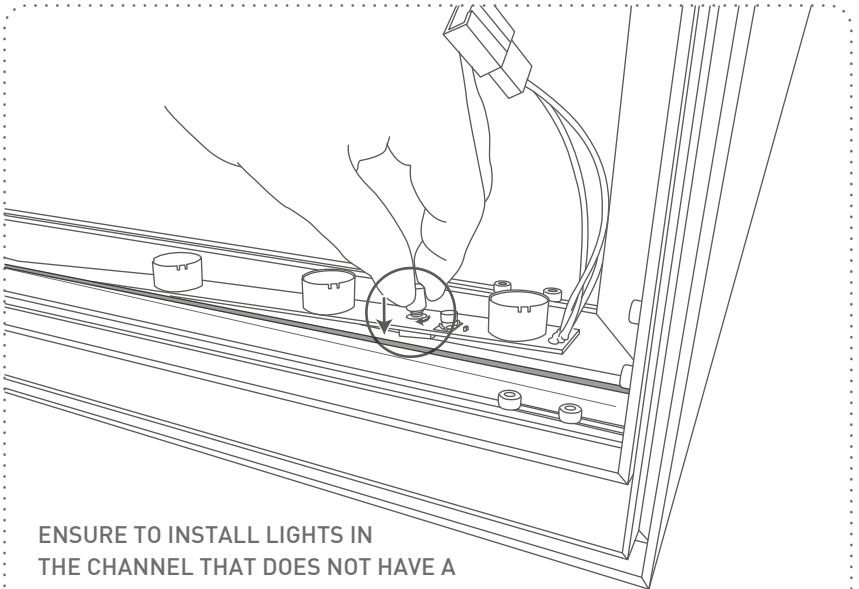
BUILD FRAME USING x8 CORNER BRACKETS  
x2 CORNER BRACKETS PER CORNER.

# 3

TIGHTEN SCREWS  
WITH ALLEN KEY



# 4

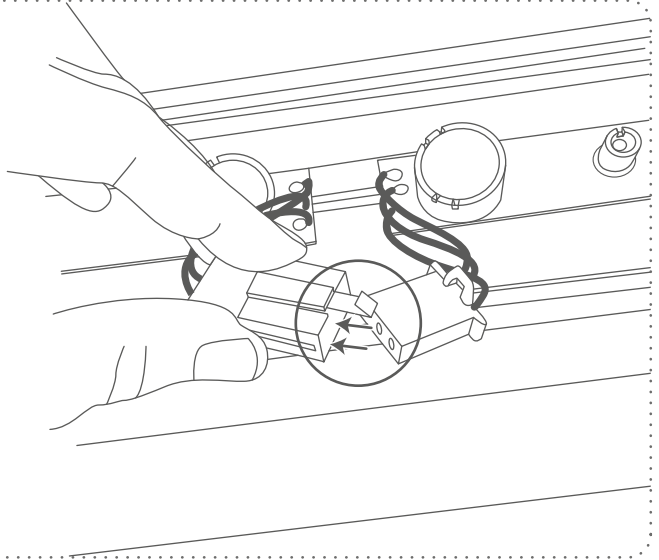


ENSURE TO INSTALL LIGHTS IN  
THE CHANNEL THAT DOES NOT HAVE A  
CORNER BRACKET- USE THE MIDDLE CHANNEL.

TIGHTEN LIGHTS IN POSITION USING YOUR HANDS BY TWISTING  
THE T-NUT IN A CLOCKWISE DIRECTION

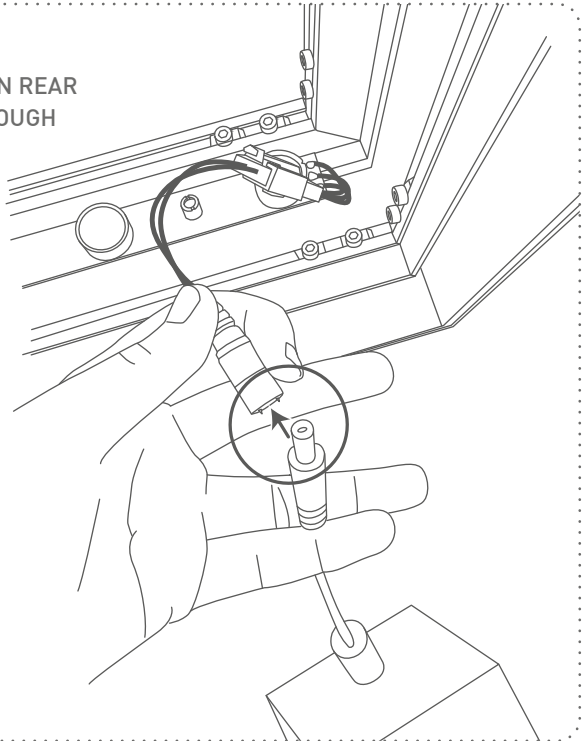
# 5

CONNECT THE  
LED MODULES  
TOGETHER



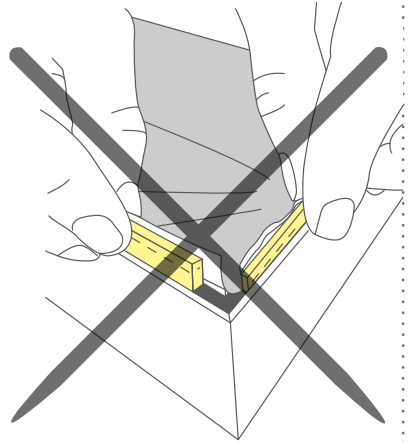
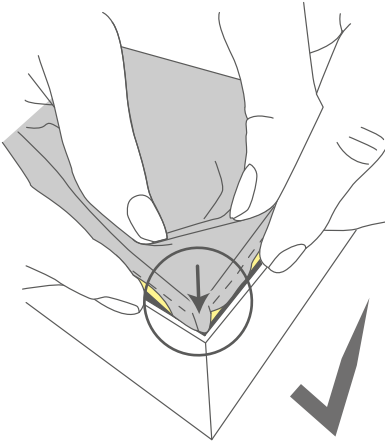
# 6

CUT SMALL HOLE IN  
BLOCKOUT FABRIC ON REAR  
AND FEED LEAD THROUGH  
AND CONNECT TO  
TRANSFORMER.



# 7

INSERT THE FABRIC INTO THE EXTRUSION STARTING WITH THE CORNERS ENSURE THE WELT IS CONCEALED

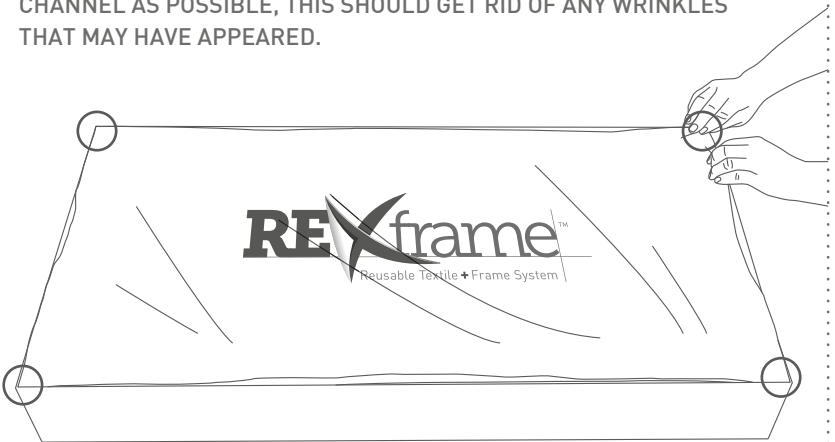


# 8

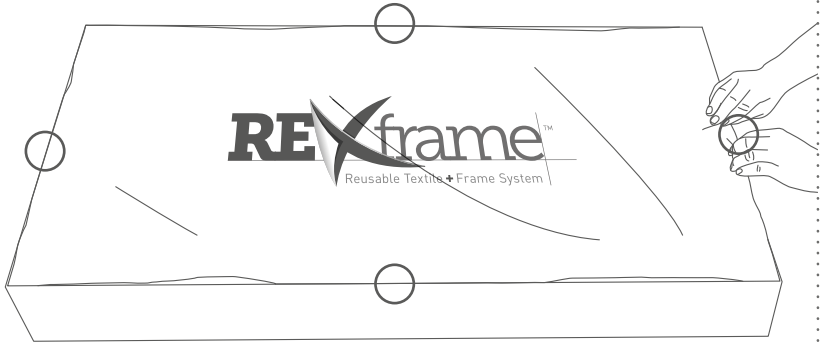
FOLLOW THE DIAGRAM BELOW FOR THE REMAINING WELT EDGE.

STARTING WITH ALL CORNERS

ENSURE WELT EDGE ON FABRIC IS PUSHED AS FAR INTO THE CHANNEL AS POSSIBLE, THIS SHOULD GET RID OF ANY WRINKLES THAT MAY HAVE APPEARED.

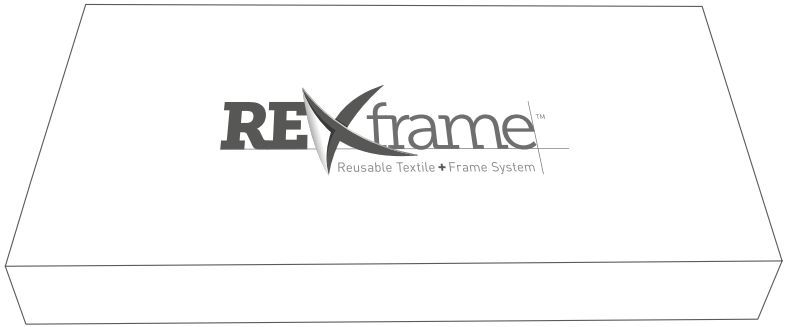


# 9



CONTINUE WITH THE MIDDLE OF EACH LENGTH,  
AND THEN THE REMAINDER OF THE FABRIC

# 10



CONTINUE UNTIL ALL THE FABRIC HAS BEEN FULLY INSERTED