

INSTRUCTION BOOKLET

DOUBLE SIDED
FREE STANDING

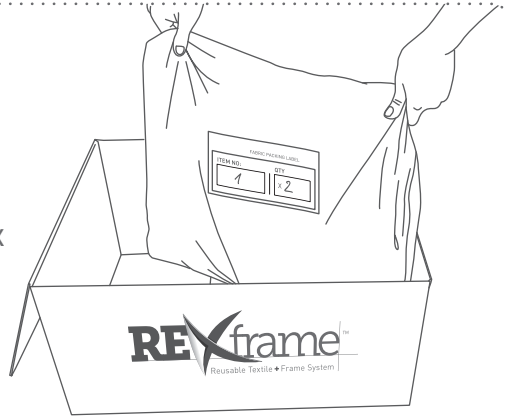
**PLEASE READ ALL INSTRUCTIONS
CAREFULLY BEFORE OPENING BOX**



1

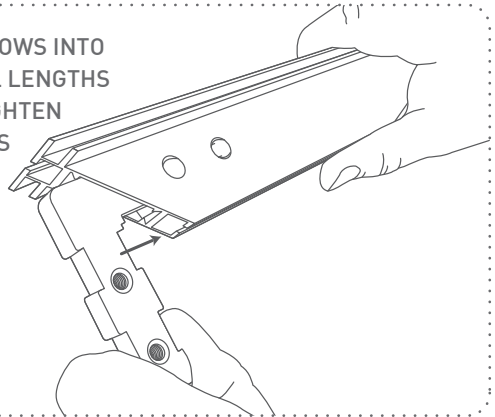
PULL YOUR REXframe™
FABRIC OUT OF THE BOX
& UNWRAP YOUR
EXTRUSION

CAREFUL NOT TO CUT
INTO THE BAGS OR THE BOX
AS YOU COULD DAMAGE
THE FABRIC



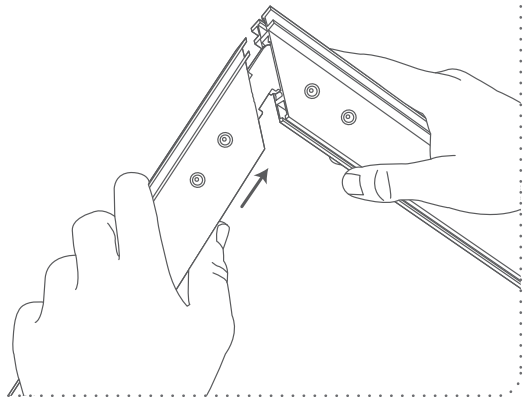
2

INSERT THE HEAVY DUTY ELBOWS INTO
EITHER SIDE OF X2 PARALLEL LENGTHS
OF EXTRUSION AND HAND TIGHTEN
USING THE SUPPLIED SCREWS



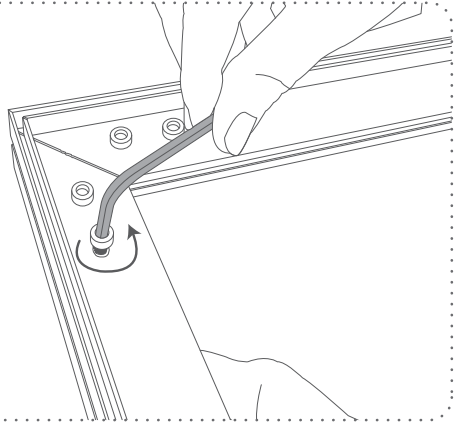
3

INSERT THE VERTICAL
LENGTHS



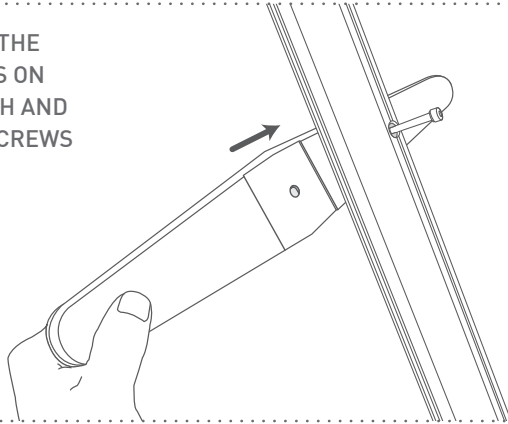
4

TIGHTEN THE SCREWS
USING THE SUPPLIED
ALLEN KEY ON EACH
CORNER



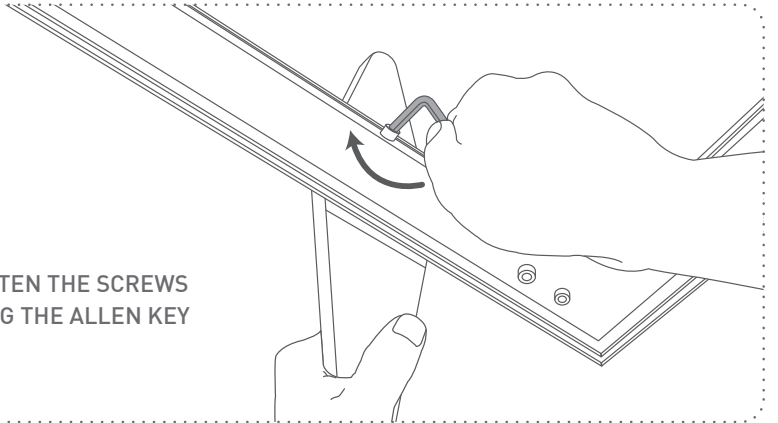
5

ALIGN THE FEET TO THE
PRE-DRILLED HOLES ON
THE BOTTOM LENGTH AND
INSERT SUPPLIED SCREWS



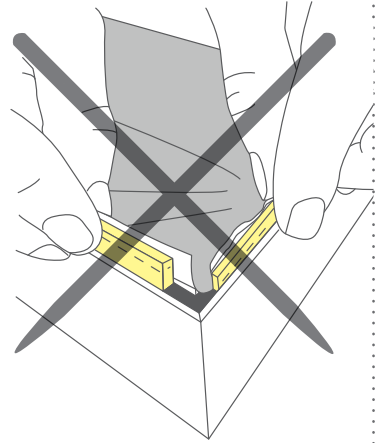
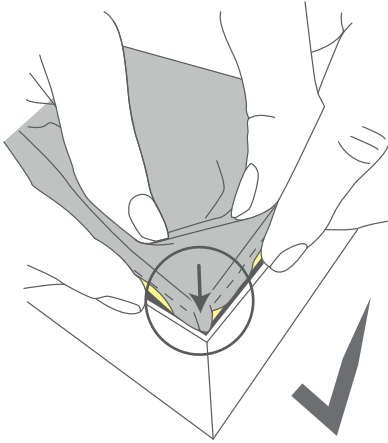
6

TIGHTEN THE SCREWS
USING THE ALLEN KEY



7

INSERT THE FABRIC INTO THE EXTRUSION STARTING WITH THE CORNERS ENSURE THE SILICON GASKET IS CONCEALED



8

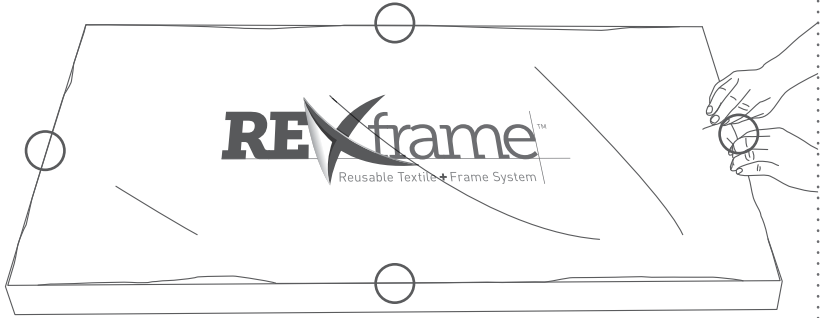
FOLLOW THE DIAGRAM BELOW FOR THE REMAINING SILICON GASKET EDGE.

STARTING WITH ALL CORNERS

ENSURE SILICON GASKET EDGE ON FABRIC IS PUSHED AS FAR INTO THE CHANNEL AS POSSIBLE, THIS SHOULD GET RID OF ANY WRINKLES THAT MAY HAVE APPEARED.

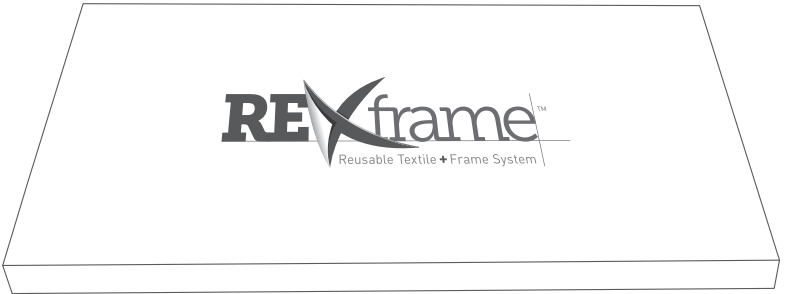


9



CONTINUE WITH THE MIDDLE OF EACH LENGTH,
AND THEN THE REMAINDER OF THE FABRIC

10



CONTINUE UNTIL ALL THE FABRIC HAS BEEN FULLY INSERTED