

INSTRUCTION BOOKLET

SINGLE SIDED FRAME FIXED TO WALL

**PLEASE READ ALL INSTRUCTIONS
CAREFULLY BEFORE OPENING BOX**



1

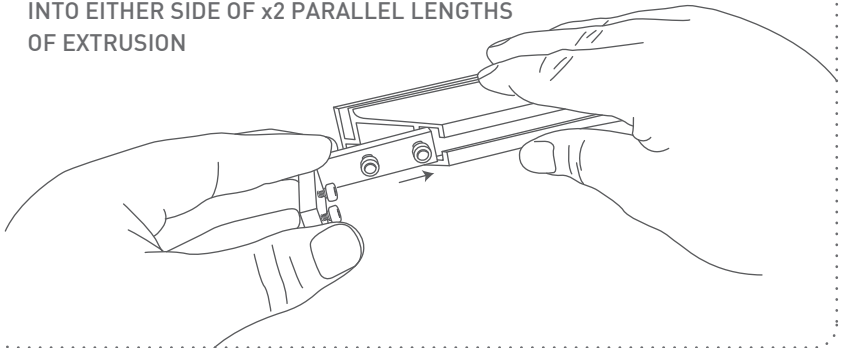
PULL YOUR REXframe™
FABRIC OUT OF THE BOX
& UNWRAP YOUR
EXTRUSION

CAREFUL NOT TO CUT
INTO THE BAGS OR THE BOX
AS YOU COULD DAMAGE
THE FABRIC



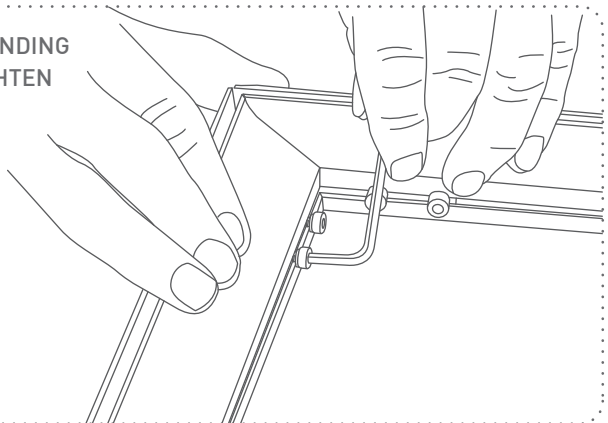
2

INSERT THE x4 ELBOW JOINERS (SHOWN BELOW)
INTO EITHER SIDE OF x2 PARALLEL LENGTHS
OF EXTRUSION



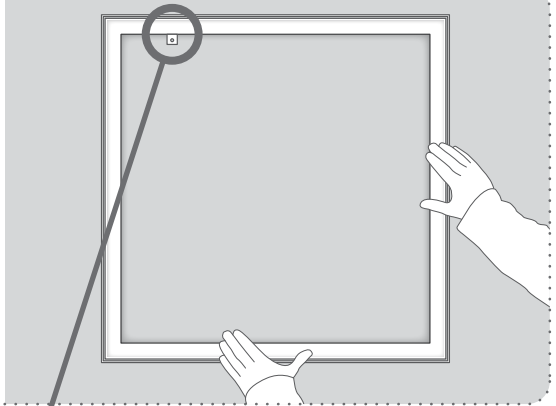
3

INSERT THE REMAINING
CORNERS AND TIGHTEN
THE SCREWS



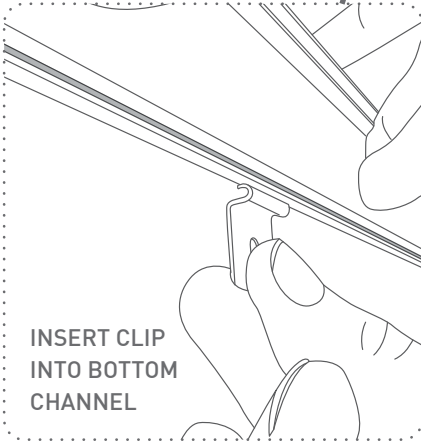
4

PLACE THE FRAME
ON THE WALL

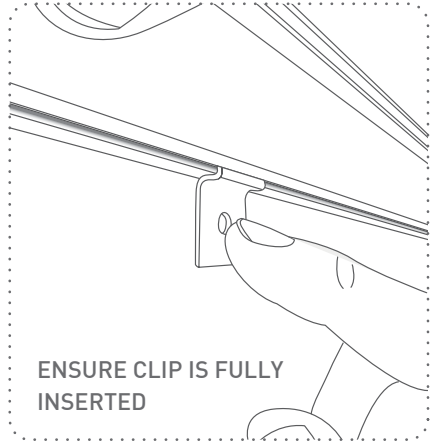


5

INSERT CLIP
INTO BOTTOM
CHANNEL

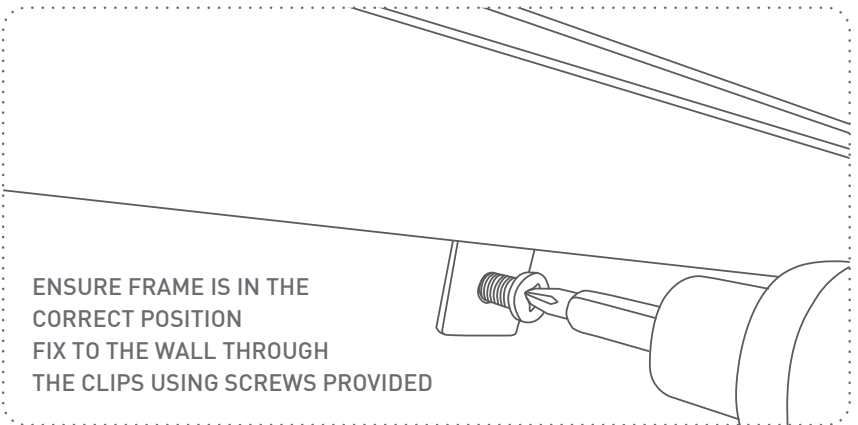


ENSURE CLIP IS FULLY
INSERTED



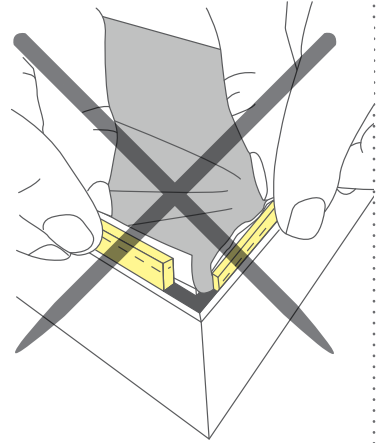
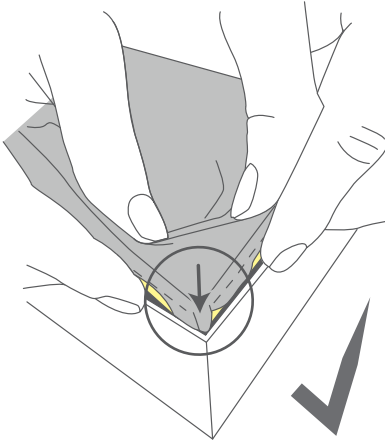
6

ENSURE FRAME IS IN THE
CORRECT POSITION
FIX TO THE WALL THROUGH
THE CLIPS USING SCREWS PROVIDED



7

INSERT THE FABRIC INTO THE EXTRUSION STARTING WITH THE CORNERS ENSURE THE SILICON GASKET IS CONCEALED



8

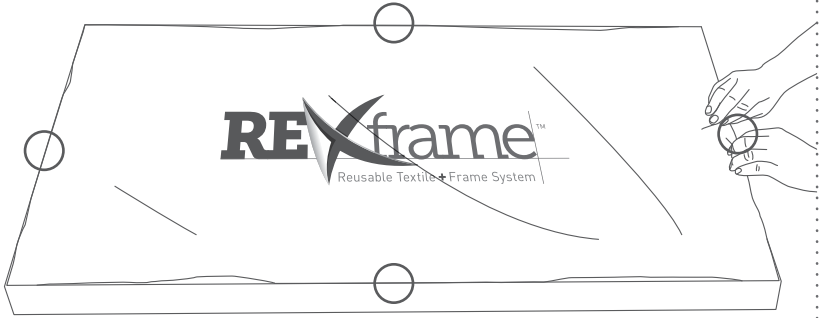
FOLLOW THE DIAGRAM BELOW FOR THE REMAINING SILICON GASKET EDGE.

STARTING WITH ALL CORNERS

ENSURE SILICON GASKET EDGE ON FABRIC IS PUSHED AS FAR INTO THE CHANNEL AS POSSIBLE, THIS SHOULD GET RID OF ANY WRINKLES THAT MAY HAVE APPEARED.

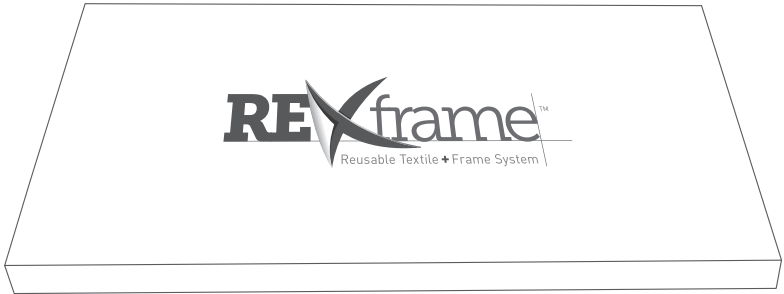


9



CONTINUE WITH THE MIDDLE OF EACH LENGTH,
AND THEN THE REMAINDER OF THE FABRIC

10



CONTINUE UNTIL ALL THE FABRIC HAS BEEN FULLY INSERTED